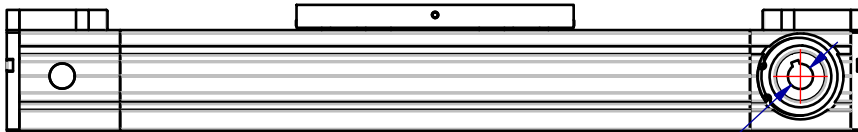
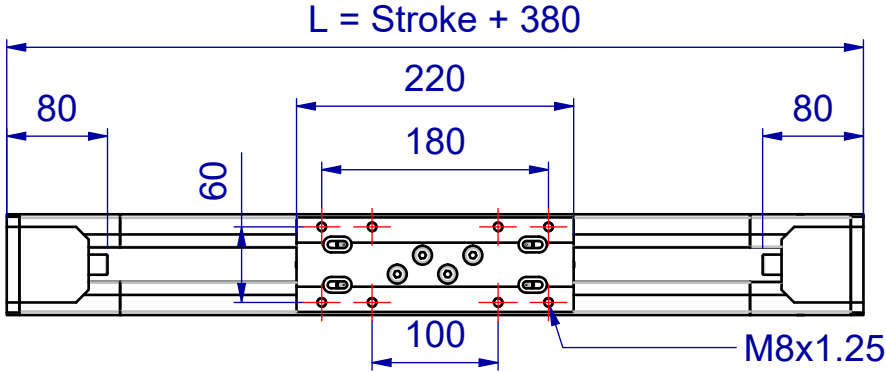
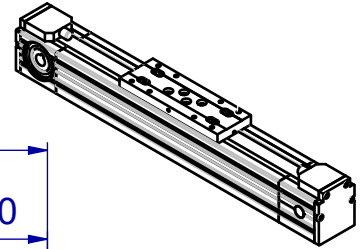
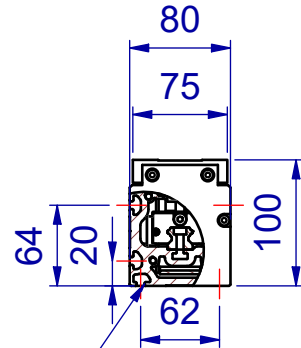


LT80S-Tr-S20D



$\text{Ø}20$  Hollow shaft with keyway



T-slot for M6 Nuts